



POST AND RING

The Post and Ring rack provides a modern look for bike parking with small foot print and only one installation point. Designed to coordinate with the Saris City Rack, the Post and Ring can add to a cohesive streetscape design or can provide unique stand alone bike parking.

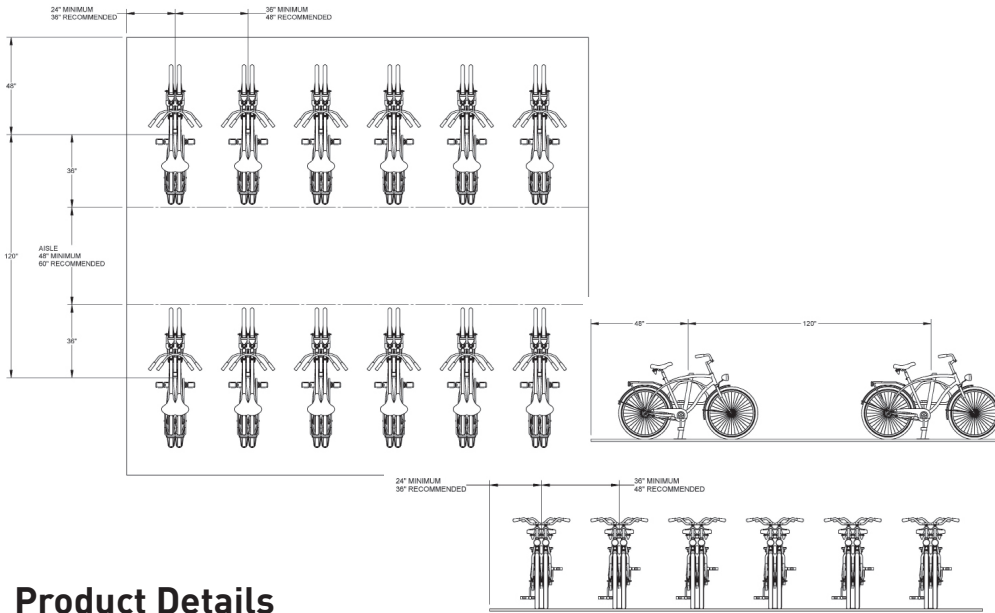


Specifications -								
Model #	# Bikes	Type of mount	weight	length	width	height	Space Requirement	
2451	2	Flange Mount	21 lbs.	21"	6"	32.7"	68" x 110"	
2452	2	Below Grade	27 lbs.	21"	1.5"	36"	68" x 110"	

Note: Saris Parking Systems representatives can assist with custom layout and spacing to meet your room dimensions and desired bike capacity.

Post and Ring

Recommended Spacing



Product Details

- One point of installation and small footprint on the sidewalk
- Full square tube construction
- Modern Look
- Coordinates with City Rack



Saris Post and Ring as manufactured by Saris

Product Information



2 bikes per rack



of Bikes

Full square tube construction
Schedule 40 steel



Powder Coat
Galvanized
Thermoplastic



Anchor #6265



48" recommended between perpendicular racks
120" recommended between racks (center to center)

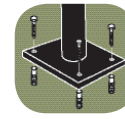
Materials

Finish

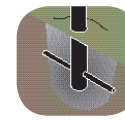
Hardware

Spacing

Anchors must be purchased separately



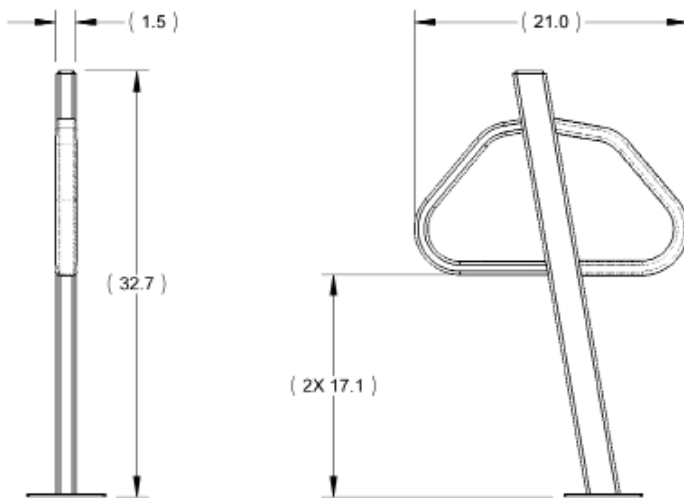
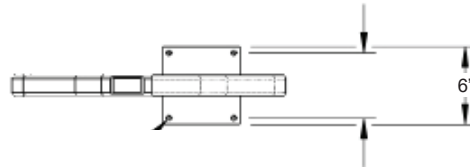
Flange Mount



Below Grade Mount



Standard Colors



Downloadable product resources available online:



CAD Files



SketchUp Files



Written Specs



Photos