



CYCLE RACKS

SARIS

# WAVE RACK

The wave rack offers a simple and compact way to park bikes. With a wide range of bike capacity and options, the wave racks provide an easy answer to meeting parking demands.

### Specifications - 1.66" electrowelded steel tubing, 12 gauge

Model #	# Bikes	Type of mount	weight	length	width	height	Space Requirement
6802	5	below grade mount	26 lbs.	36"	2"	36"	66" x 110"
6803	5	flange mount	29 lbs.	40"	6"	36"	66" x 110"
6805	7	below grade mount	38 lbs.	62"	2"	36"	92" x 110"
6806	7	flange mount	40 lbs.	66"	6"	36"	92" x 110"
6808	9	below grade mount	54 lbs.	86"	2"	36"	116" x 110"
6809	9	flange mount	60 lbs.	90"	6"	36"	116" x 110"

### Specifications - 2 3/8" schedule 40 steel pipe, 9 gauge, 6" radius bend

Model #	# Bikes	Type of mount	weight	length	width	height	Space Requirement
2162	5	below grade mount	52 lbs.	38"	3"	36"	66" x 110"
2163	5	flange mount	50 lbs.	46"	8"	36"	66" x 110"
2164	7	below grade mount	74 lbs.	65"	3"	36"	92" x 110"
2165	7	flange mount	72 lbs.	69"	8"	36"	92" x 110"
2166	9	below grade mount	96 lbs.	86"	3"	36"	116" x 110"
2167	9	flange mount	94 lbs.	94"	8"	36"	116" x 110"
2168	11	below grade mount	119 lbs.	111"	3"	36"	142" x 110"
2169	11	flange mount	145 lbs.	118"	8"	36"	142" x 110"
2160	13	below grade mount	145 lbs.	134"	3"	36"	167" x 110"
2161	13	flange mount	142 lbs.	138"	8"	36"	167" x 110"
2161	13	flange mount	142 lbs.	141"	8"	38"	167" x 110"

### Specifications - 2 3/8" schedule 40 steel pipe, 9 gauge, 9" radius bend

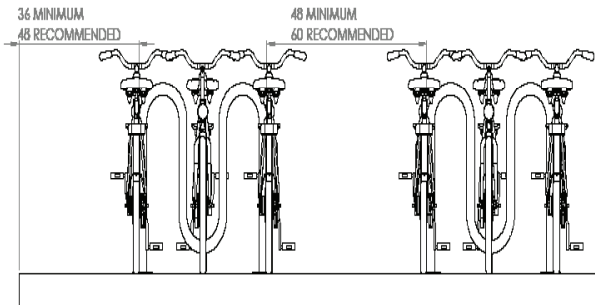
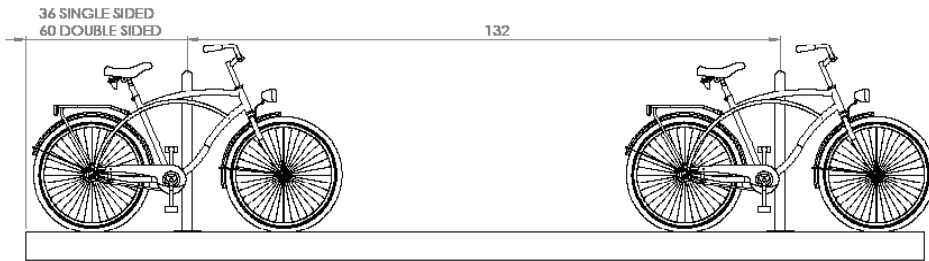
Model #	# Bikes	Type of mount	weight	length	width	height	Space Requirement
2102	5	below grade mount	57 lbs.	57"	2.4"	36"	87" x 110"
2103	5	flange mount	60 lbs.	60"	6"	36"	87" x 110"
2105	7	below grade mount	90 lbs.	93"	2.4"	36"	123" x 110"
2106	7	flange mount	95 lbs.	96"	6"	36"	123" x 110"
2108	9	below grade mount	108 lbs.	129"	2.4"	36"	159" x 110"
2109	9	flange mount	111 lbs.	132"	6"	36"	159" x 110"

**Note:** Saris Parking Systems representatives can assist with custom layout and spacing to meet your room dimensions and desired bike capacity.



# Wave Rack

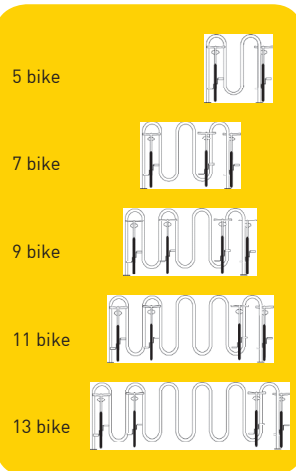
## Recommended Spacing



## Product Details

- All steel tube in variety of sizes and shape
- Spacing configurations provide multiple options to meet demands

## Bike Loading



Product Information



# of Bikes



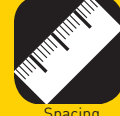
Materials



Finish



Hardware



Spacing

Wave Rack as manufactured by Saris

3-13 bikes per rack

1.66", 12 gauge  
2 3/8" 9 gauge

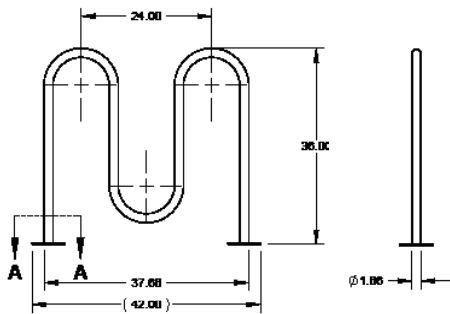
Powder Coat  
Galvanized  
Stainless Steel

Temporary Mount: #6263  
Permanent Mount: #6260

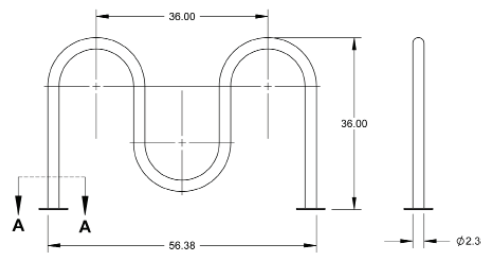
48" recommended between perpendicular racks  
120" recommended between racks (center to center)

Anchors must be purchased separately

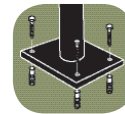
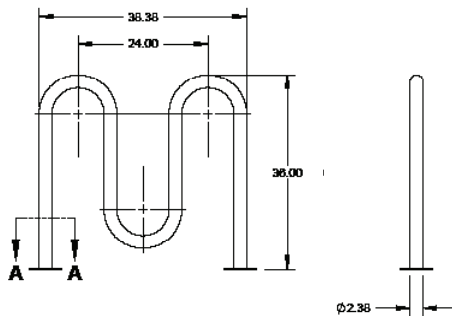
## 6803



## 2103



## 2163



Flange Mount



Below Grade Mount



Standard Colors

Downloadable product resources available online:



CAD Files



SketchUp Files



Written Specs



Photos