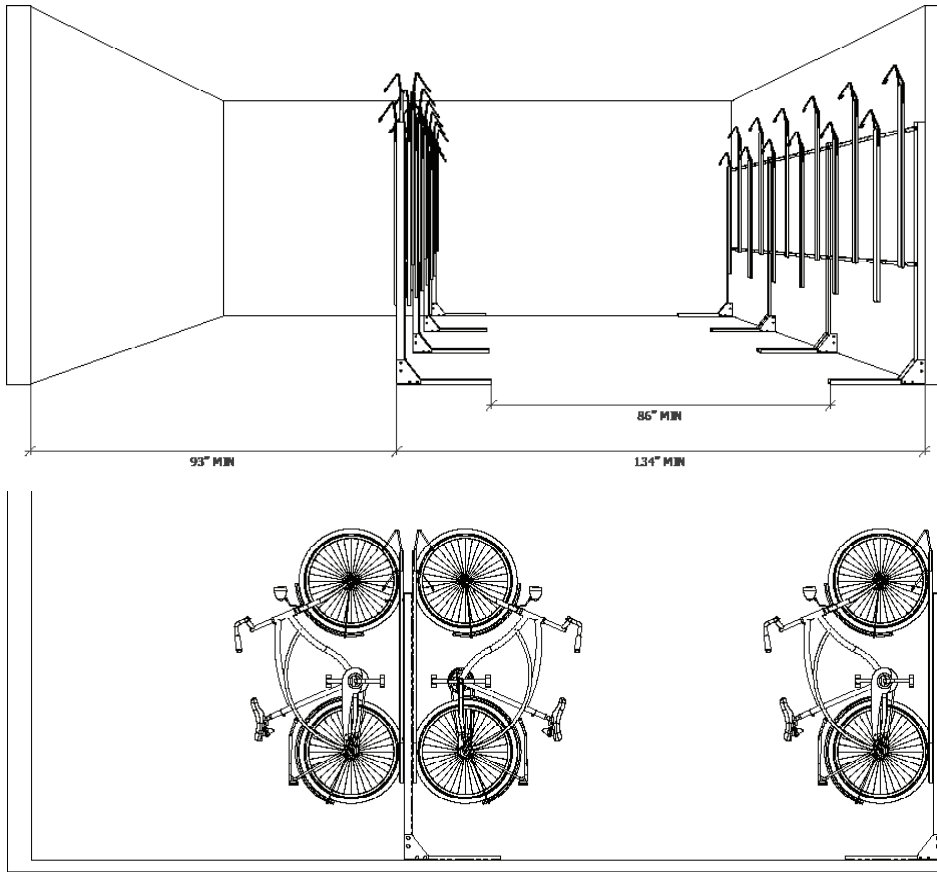


Vertical Racks

Recommended Spacing



Vertical rack as manufactured by Saris

Product Information



3, 4, or 5 bike options
(single sided)
6, 8, 10 bike options
(double sided)



Powder coat black only

Finish



Floor or wall mounting options
Recommended anchor: #6264

Hardware



18" standard spacing
If additional bike tray added,
bike spacing shrinks to 15"

Spacing



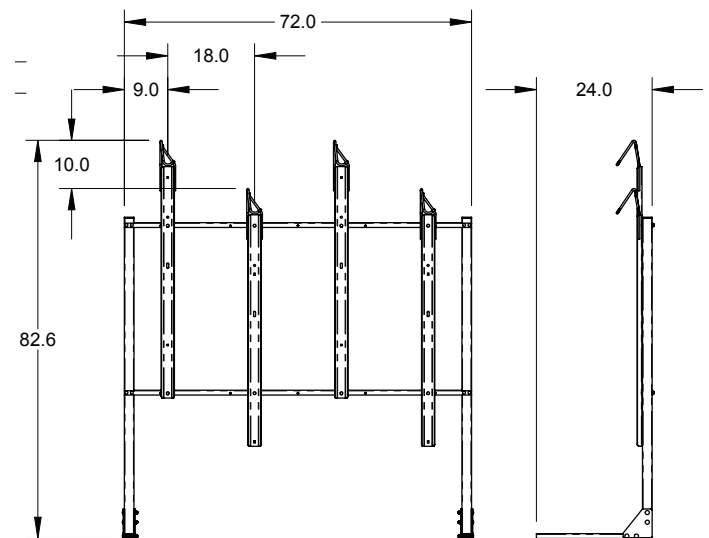
84" minimum ceiling height

Anchors must be purchased separately

Product Details

- Small footprint and high density design with staggered design to minimize handlebar interference
- Locking and non-locking versions available
- Available single and double sided and can be modular to create larger scale parking areas
- Expandable with one bike add-on (6003T or 6006)

Note: Saris Parking Systems representatives can assist with custom layout and spacing to meet your room dimensions and desired bike capacity.



8024 Shown

Downloadable product resources available online:



CAD Files



SketchUp Files



Written Specs



Photos