

LOCKERPOD+

The Lockerpod+ is the ideal bike parking locker solution for your home or business! Securing up to 4 bikes in a stylish design and manufactured in 100% recyclable material. The Lockerpod+ will keep your bikes secure and dry using a lot less space than your average shed!

The Lockerpod+ and +SS are the only Sold Secure Approved lockers in the UK!

The Lockerpod+ has a 3-point locking system and key operated door so you don't need to worry about padlocks! You can have the unit "free-standing" on grass/concrete etc or you may choose to bolt through the inside base onto a hard standing surface for extra security.



Product Name: Lockerpod+ is Sold Secure Bronze approved

Product Name: Lockerpod+SS is Sold Secure Gold approved

Material: Medium density polyethylene (MDPE), Green version is recycled and recyclable, where as colour versions are just recyclable.

Wall Thickness: 4-6 mm single skin rear, with door being 4-6mm double skin.

Finish: Standard colour Green, other colours available at additional cost.

Product Weight: Rear 60Kg, door 12kg.
Securing hinge: Galvanised Steel

Securing Lock: Multi 3 point locking mechanism

Fixings Material: 4 x Ground anchors, nickel plated.

Ground Fixings Required: 3 types: 16mm outer diameter shield anchor bolts drilled to a depth of 100mm max . Self using M14 Sheer off nuts and resin. 4 fixing bolt required per Lockerpod

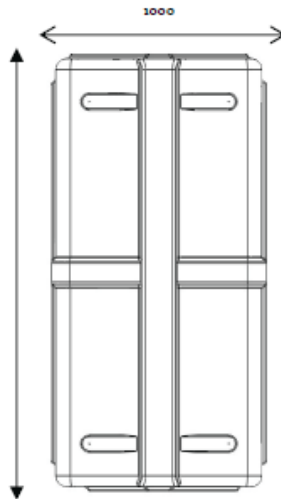
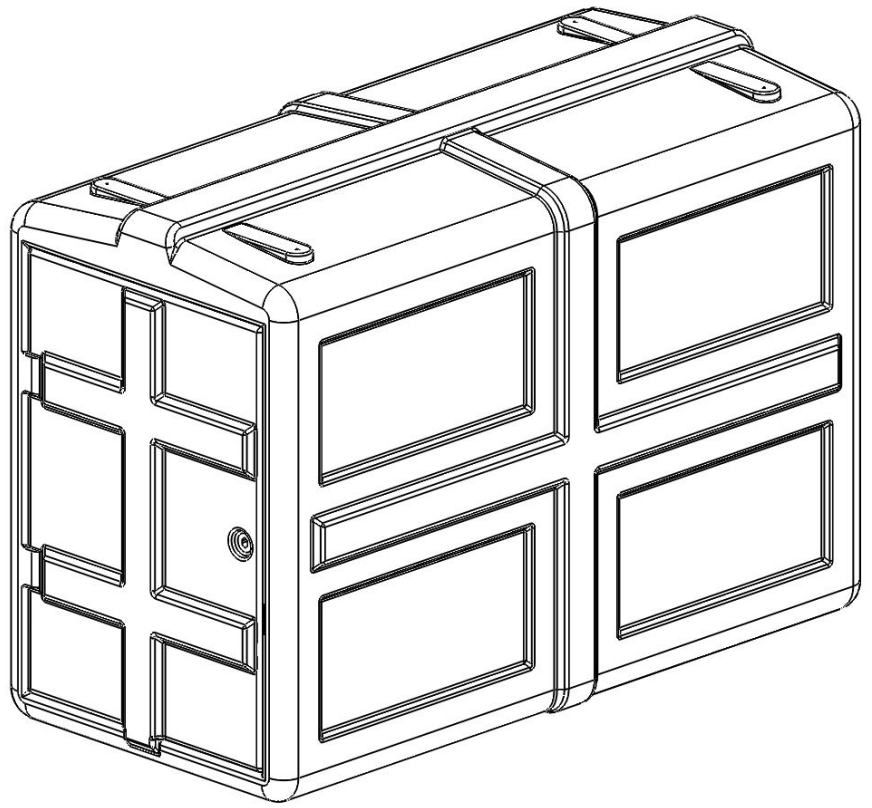
Ground Type Required: Solid level base required. Concrete, large slabs with minimum 50mm thickness

Internal fixings: Hexagonal nuts or optional shear off nuts + Loc tight to be used on all internal fixings.

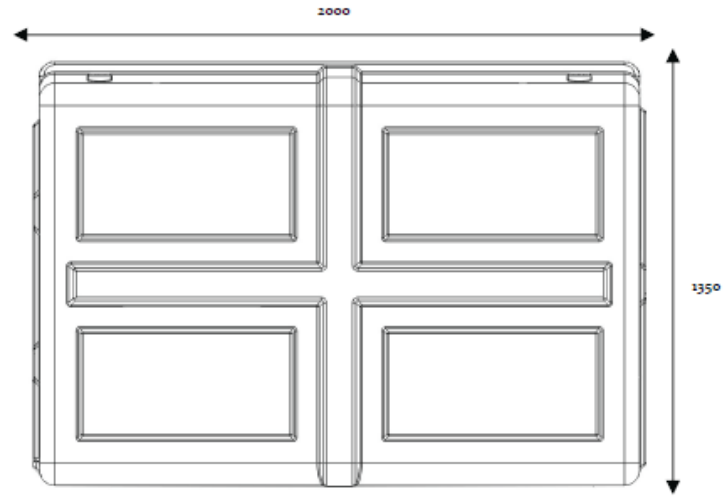
Additional Information

Dimensions: L 200 x W 100 x H 135cm

Product Finish: Recycled green, red, orange, dark green, yellow, light green, light blue, dark blue, brown, dark gray, black, white, light grey, millstone, white marble, granite, sandstone, green marble.



Top View



Side View

