



CYCLE RACKS

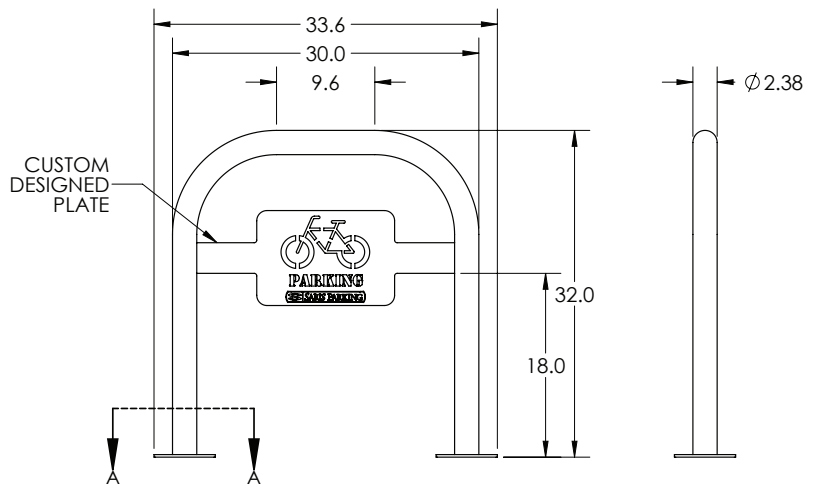
SARIS

BRANDED BIKE DOCK

Sky's the limit on how to use bike parking to communicate and reinforce your brand. Custom designed plate added to standard bike dock makes a big statement in a cost effective manner.



2115



Specifications - 2 3/8" schedule 40 steel pipe, 9 gauge

Model #	# Bikes	Type of mount	weight	length	width	height	Space Requirement
2114	2	below grade	40 lbs.	30"	2.4"	32"	68" x 110"
2115	2	flange mount	39 lbs.	33.6"	6"	32"	68" x 110"

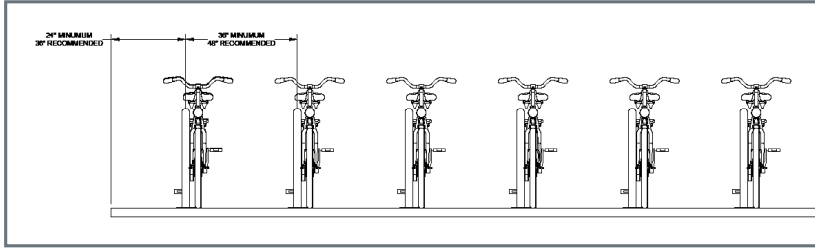
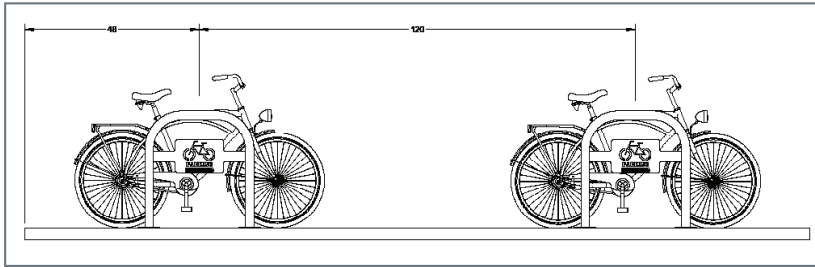
Specifications - 2" X 2" X 3/16" square tubing, 7 gauge

Model #	# Bikes	Type of mount	weight	length	width	height	Space Requirement
2214	2	below grade	47 lbs.	30"	2.4"	32"	68" x 110"
2215	2	flange mount	43 lbs.	34"	6"	32"	68" x 110"

Note: Saris Parking Systems representatives can assist with custom layout and spacing to meet your room dimensions and desired bike capacity.

Branded Bike Dock

Recommended Spacing



Product Details

- Available in 2.38" round and 2" square tube
- Offers 2 points of contact for bike stability
- Meets APBP guidelines



Saris Branded Bike Dock

Product Information



2 bikes per rack



2.38" round tube
2" square tube



Powder Coat
Galvanized
Stainless Steel

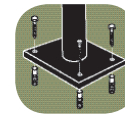


Flange Mount recommended anchor:
Temporary Mount: #6263
Permanent Mount: #6260



48" recommended between perpendicular racks
120" recommended between racks (center to center)

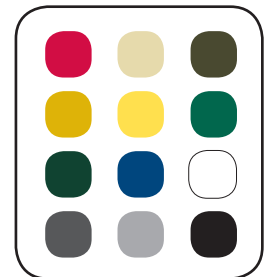
Anchors must be purchased separately



Flange Mount

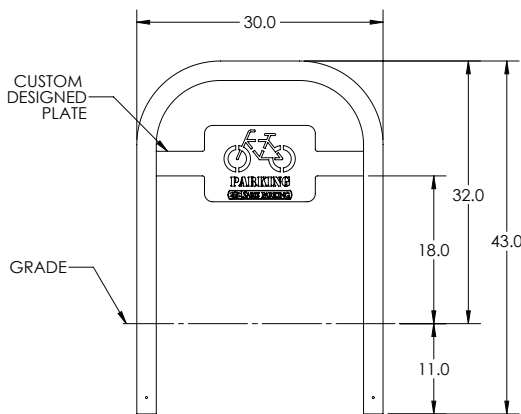


Below Grade Mount

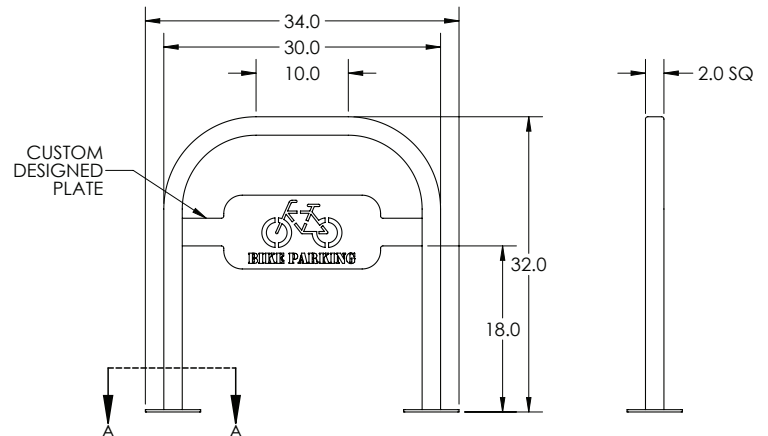


Standard Colors

2114



2215



Downloadable product resources available online:

