



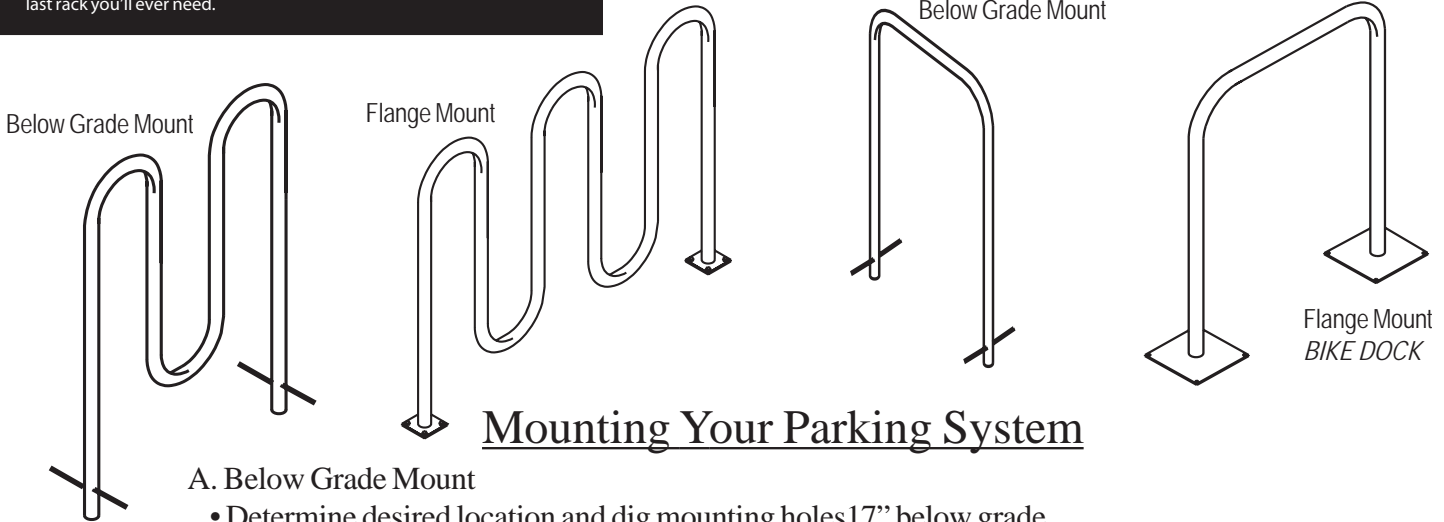
SIMPLY BUILT TO LAST. GUARANTEED.*

FINALLY – A COMPANY THAT LOVES BIKES AS MUCH AS YOU DO.

Chances are, your bikes are just like ours - your most valued possessions. And if it has the Saris name on it, nothing we build goes out the door unless it's worth putting those possessions on. Call it obsessive. Call it eccentric. We just chalk it up to caring a hell of a lot about creating the last rack you'll ever need.

Parking Systems

6800,6900,2100,2200 Series Mounting Instructions



Mounting Your Parking System

A. Below Grade Mount

- Determine desired location and dig mounting holes 17" below grade.
- Fill hole 1/3 full with gravel.
- Lower unit into holes and fill remainder of hole with cement.
- Support unit with spacers, such as cinder blocks, until cement sets.

B. Flange Mount (*Note: It's recommended that concrete cure for 28 days prior to mounting.*)

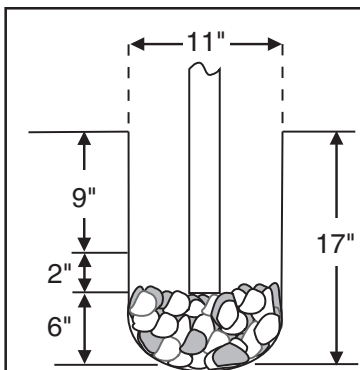
1. Temporary Mount (Model #6263 - **Sold Separately**)

- Determine desired location of unit (mark hole locations using flange as a guide).
- Using a 1/2" masonry drill bit, drill holes in cement 2" deep.
- Insert anchor sheilds into holes and tap in place with a hammer.
- Align holes in flange with anchors and secure with a 5/16"-18 x 2" lag bolts.

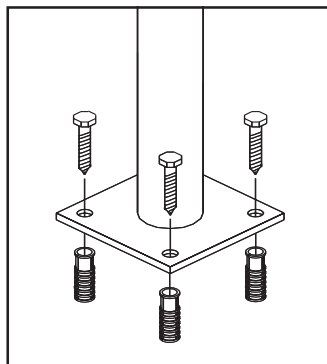
2. Permanent Mount (Model #6260 - **Sold Separately**)

- Determine desired location of unit.
- Using a 3/8" masonry drill bit, drill through the flange mount and into the concrete 3-1/4".
- Blow the hole clean of dust and other material.
- Drive spike through flange mount and into hole, until head of spike is seated on the flange mount.

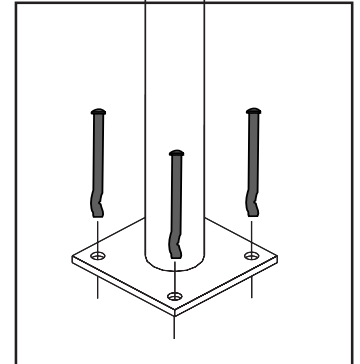
Below Grade Illustration

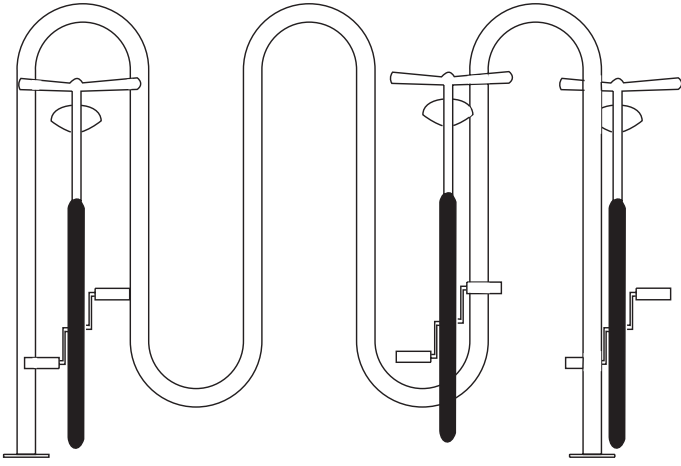


Flange Mount Illustration (Temporary Style)



Flange Mount Illustration (Permanent Style)

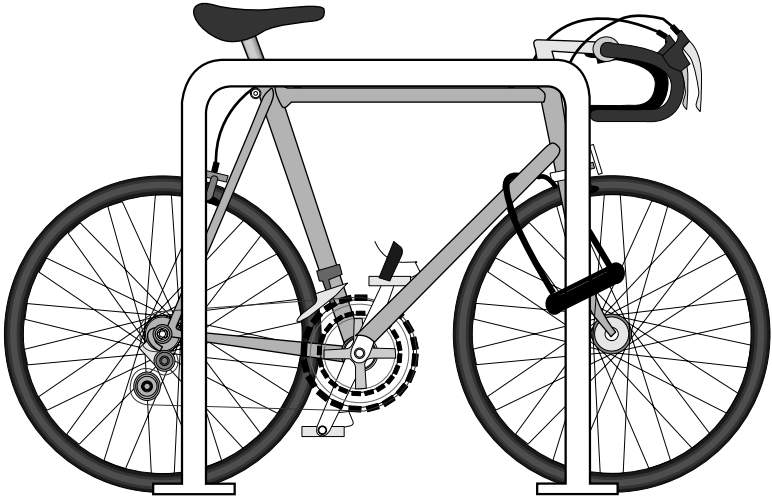




Parking Bicycles

Bikes can be parked as illustrated.

- Under “waves”
- Over “waves” (front tire straddling lower wave).
- On each end.



Parking Bicycles

Bikes can be parked as illustrated, on both sides of the unit.

WARNING:

Manufacturer and seller expressly disclaim any and all liability for personal injury, property damage or loss, whether direct, indirect, or incidental, resulting from the incorrect attachment or inappropriate placement, improper use, inadequate maintenance, or neglect of this product. Placement of this product is beyond control of the manufacturer. It is the end users responsibility to place this product so as to avoid potential pedestrian or playground accidents.

WARRANTY:

We warrant this product to the first consumer to be free from defect in material and workmanship for a period of one year from date of purchase. Please retain your sales slip for your records. Any product or part thereof found to be defective within that period will be replaced without charge provided that: (1) the product was not misused; (2) no alterations or modifications were made; (3) its failure resulted from a defect in material or workmanship and not from normal wear expected in the use of the product; (4) the product or part is delivered, freight prepaid, to Saris Products. Manufacturer's only obligation shall be to replace such products or parts proved to be defective.

Saris Cycling Group
5253 Verona Road
Madison, WI 53711
(800) 783-7257
www.sarisparking.com